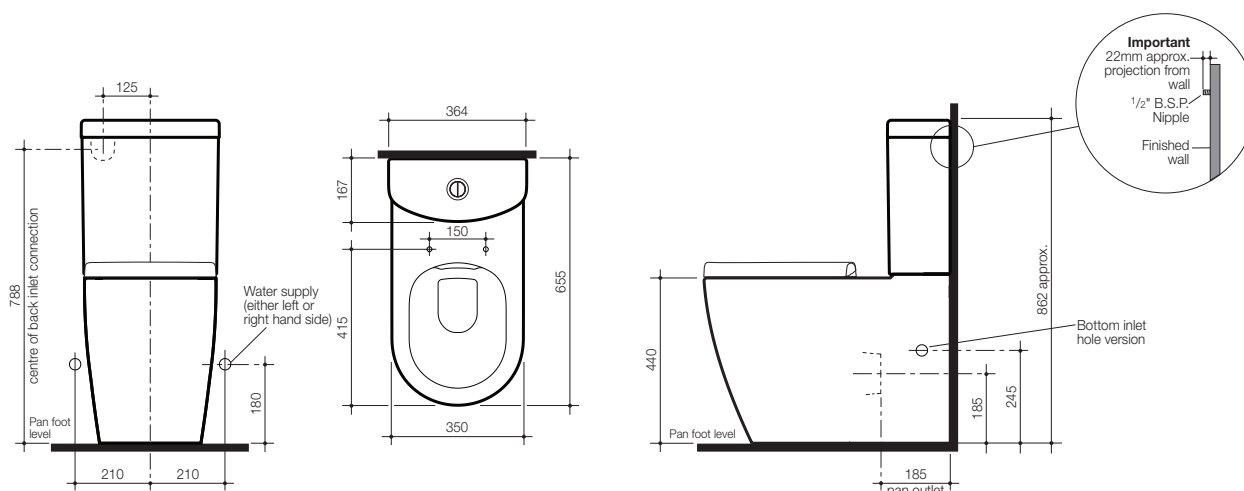


CAROMA FORMA CLEANFLUSH™

BACK TO WALL RIMLESS TOILET SUITE



All dimensions are in millimetres and are subject to normal manufacturing variations. Caroma pursues a policy of continuing improvement in design and performance of its products. The right is therefore reserved to vary specifications without notice.

SPECIFICATIONS

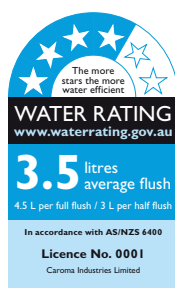
Recommended use	Domestic, hotel and commercial
Material	Pan: Vitreous china Cistern: Vitreous china Seat: Thermoset
Colour	White
Weight	Pan: 35 kg Cistern: 16 kg
Water inlet	Bottom inlet and back entry versions available
Inlet valve	Suitable for dynamic flow pressures of 30 kPa to 1000 kPa.
Bowl configuration	Universal trap for S or P trap installations
Rim configuration	Rimless
Seat	Arc soft close quick release thermoset toilet seat
Cistern fixing	Cistern is fixed directly to the pan with a robust concealed base fixing system without the need for wall fixing.
Pan fixing	Pan can be bedded to the floor with a sand cement mixture, or bedded with an acetic cured silicone sealant and fixed with the D82 Concealed Fixing Bracket, corrosion resistant screws and pan guard washers.



To see the complete CAROMA range go to www.reece.com.au/bathrooms

CLEANING RECOMMENDATIONS

We recommend the use of soapy water or approved cleaners. This product should not be cleaned with abrasive materials. Damage caused by any improper treatment is not covered by the product warranty. Refer to Warranty Conditions.



Disclaimer: Products in this specification manual must by regulation be installed by licensed and registered trade people. The manufacturer/distributor reserves the right to vary specifications or delete models from their range without prior notification. Dimensions and set-outs listed are correct at time of publication however the manufacturer/distributor takes no responsibility for printing errors.

Tech Page Version: 2

 cleanflush
Caroma

 reece

CAROMA FORMA CLEANFLUSH™

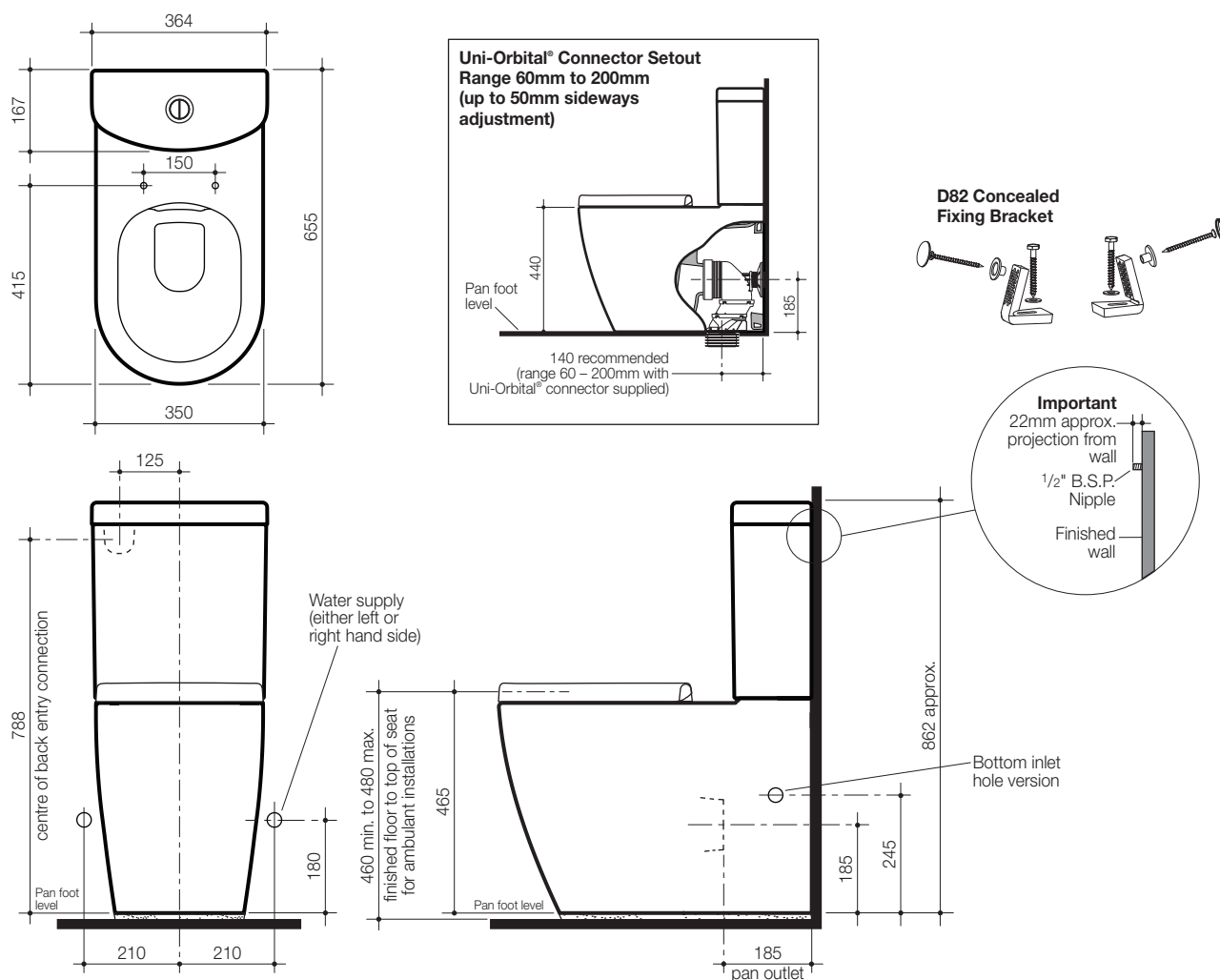
BACK TO WALL RIMLESS TOILET SUITE

INSTALLATION INSTRUCTIONS

Note: All height dimensions to underside of pan, make allowance for bedding.

Bedding: The pan should be bedded to the floor with a sand cement mixture of 3:1 to a depth of 60mm. Do not use lime or fast drying cement in the bedding mixture. When bedded the back of the foot of the pan should be approximately 10mm above the finished floor.

Screw fixing: The pan should be bedded with an acetic cured silicone sealant and fixed to the floor using the supplied D82 Concealed Fixing Bracket.



Plumbers, please ensure a copy of the installation instructions is left with the end user for future reference

CAROMA FORMA CLEANFLUSH™

BACK TO WALL RIMLESS TOILET SUITE



REECE PRODUCT QUALITY GUARANTEE

You have purchased a quality product from Reece Australia Pty Ltd ABN 84 004 097 090 ("Reece"). This product is covered by a 10 year replacement product warranty and a 12 month warranty over spare parts and labour.

10 YEAR WARRANTY – DOMESTIC USE

This warranty covers faults in the product construction, material and assembly. Products which are within 10 years from the date of purchase, found upon inspection by an authorised Reece representative, to be defective in construction, material or assembly, will be repaired or exchanged with an equivalent product free of charge. Replaced items become Reece's property.

All replacement products will be available for collection without charge to the customer at the nearest Reece branch to the customer's location, or elsewhere as agreed between the customer and Reece.

Labour and Spare Parts

The labour for the replacement of products and spare parts to which this warranty applies will be supplied by Reece or relevant supplier using licensed plumbers engaged by Reece or relevant supplier within 1 year from the date of purchase. Spare parts (includes the toilet seat) other which are within 1 year from the date of purchase found upon inspection by an authorised Reece representative to be defective in construction, material or assembly, will be replaced free of charge.

Warranty Conditions

This warranty will apply only under all of the following conditions:

- The item has been installed by a licensed plumber
- The item has been installed for and subjected to domestic residential use only
- Failure is due to a fault in the manufacture of the product
- Proof of purchase (including the date of purchase) is provided
- The installation of the product is in accordance with the instructions provided.

This warranty does not cover products purchased as an ex-display without being fully checked and tested for sale by the manufacturer.

This warranty does not include faults caused by:

- Unsuitable or improper use
- Incorrect installation or installation not in accordance with the instructions provided
- Installation or part installation by the purchaser or any person other than a LICENSED PLUMBER
- Normal wear and tear
- Inadequate or complete lack of maintenance
- Chemical, electrochemical or electrical influences
- Harsh detergents or abrasive cleaners used on product finishes

1 YEAR WARRANTY – COMMERCIAL USE

'Commercial' use is all use other than for normal domestic residential purposes, including use in non-business places as in public buildings, schools, sports centres and in establishments that contain private bathrooms with high frequency of use by many individuals, such as hotels, motels, retirement villages and hospitals.

The Commercial warranty covers this product against manufacturing faults in the construction, material and assembly of both the finished products and any spare parts for a period of 1 year from the date of purchase. Products and spare parts which are found upon inspection by an authorised Reece representative to be defective in construction, material or assembly will be repaired or exchanged free of charge. Replaced items become Reece's property. The labour for the replacement of products and spare parts to which this warranty applies will be supplied by Reece or relevant supplier using licensed plumbers engaged by Reece or relevant supplier. The Warranty Conditions and exclusions which apply to the domestic use warranty also apply to this commercial warranty.

EXCLUSIONS

To the fullest extent permitted by law, Reece excludes all liability for damage or injury to any person, damage to any property, and any indirect consequential or other loss or damage.

CLAIM PROCEDURE

For all warranty queries customers are to contact the branch where the product was purchased. These details can be found on your purchase invoice.

Our goods come with guarantees that cannot be excluded under the Australian Consumer Law. You are entitled to a replacement or refund for a major failure and for compensation for any other reasonably foreseeable loss or damage. You are also entitled to have the goods repaired or replaced if the goods fail to be of acceptable quality and the failure does not amount to a major failure.

Don't risk it, use a licensed plumber.™